

Standard Full Nut

Thread Type: UNC / BSW - Coarse

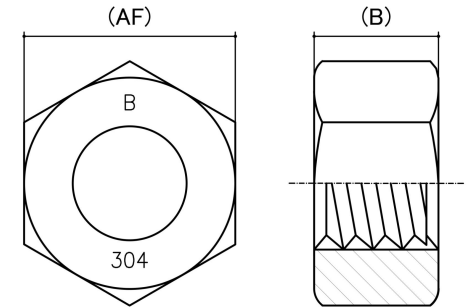
Thread Direction: Right Hand

Material: Stainless Steel

Class Grade: A2-70 G304

Corrosion Protection Level: Excellent

Standard: BS 1083



*CAD drawings shown for graphic representation only.**

Size	Thread Pitch (TPI)	Thread Type	Overall Nut Height (B) (mm)		Across Flats (AF) (mm)		Spanner Size (AF) (inches)	sku (qfind)
			Min	Max	Min	Max		
1/4"	20	Coarse	4.83	5.08	10.76	11.00	7/16	41SW14
5/16"	18	Coarse	5.84	6.35	13.66	13.90	9/16	41SW516
3/8"	16	Coarse	7.68	7.93	16.69	16.89	5/8	41SW38
1/2"	12	Coarse	10.85	11.10	20.62	20.83	7/8	41SW12
5/8"	11	Coarse	14.03	14.28	25.64	25.90	15/16	41SW58
3/4"	10	Coarse	17.20	17.45	31.38	32.00	1-1/8	41SW34
7/8"	9	Coarse	18.65	18.90	34.21	34.51	1-5/16	41SW78
1"	8	Coarse	21.98	22.23	40.52	40.82	1-5/8	41SW1

Disclaimer:

Dimensional data and technical information was obtained from publically available sources and not acquired through standard agencies. It has been completed and compiled for reference purposes only; where discrepancies are found they are subject to change without notice. Bolt & Nut Australia makes no warranties or representations regarding the accuracy and validity of the compiled information and data. Contact the relevant standard authorities for accurate and detailed information.

* CAD drawings may not reflect diameter, thread length or overall length.

© Bolt & Nut Australia Pty Ltd. All rights reserved.

Version: 18 Mar 2024